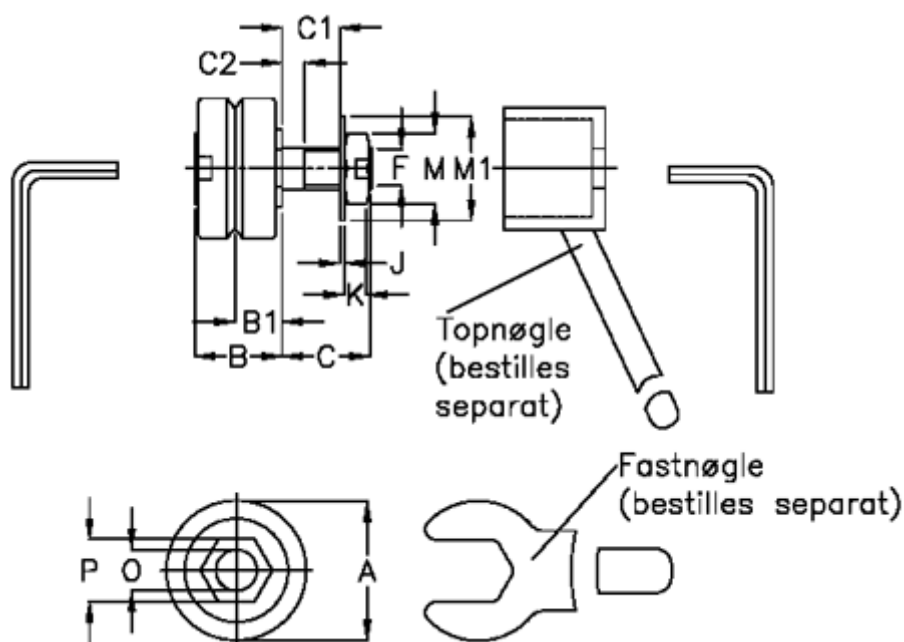


Article number: 057153202503

Description: HEPCO GV3 bearing LJ 25 CNS  
Standard With Long Stud

## Measures



a = 25.0	K = 5.0
B = 16.6	M = 13
B1 = 9.00	M1 = 17
C = 19.0	O = 8
C1 = 13.0	P = 13
C2 = 4.9	Weight kg/1000 = 0.051
F = M8 x 1	
J = 1.00	